



PRODUCT
PAGE

To be carried everywhere

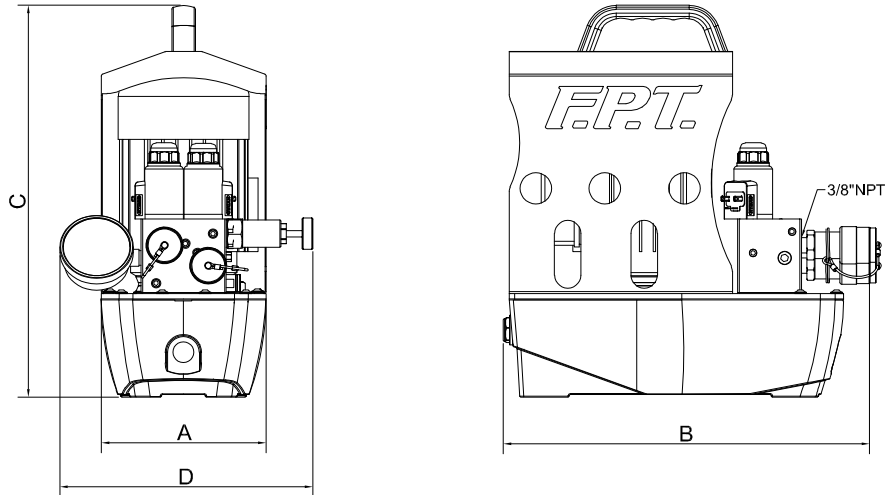
CUSTOM PUMPS ON REQUEST



- Portable mini pump, extremely light and compact, suitable for using all small and medium sized torque wrenches.
- **Only 12 kg weight to operate in any environment.**
- Maximum working pressure pressure 700 bar.
- Single-phase electric motor 230V-50Hz, power 0.55 kW.
- Radial piston pump, double stage, suitable for heavy-duty applications.
- 2.1 liter resin tank.
- Metal cage with ergonomic handle.
- Pressure gauge and valve handwheel pressure regulator as standard.
- GR-1 quick coupling as standard on the outports.

FPT-MPU-HTW

700 bar
 Double stage
 1/0,5 l/min oil flow
 2,1 l oiltank capacity



FPT-MPU-HTW

CODE	MODEL	PRESSURE	OIL FLOW	MOTOR	TENSION/ FREQUENCY	POWER/ RPM	TANK CAPACITY	DIMENSIONS mm				WEI- GHT
		1°/2° STAGE						bar	l/min	kW/rpm	litres	
31FPTMPUHTW	FPT-MPU-HTW	75/700	1/0,5	MONO PHASE ELECTRIC	230V-50Hz	0,55/2800	2,1	155	344	372	238	12