
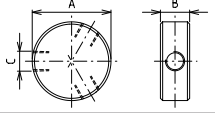

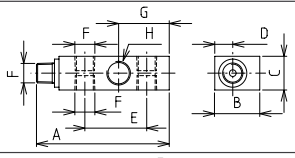

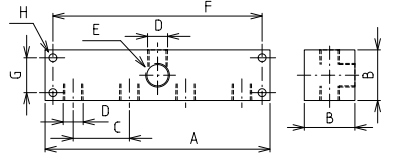

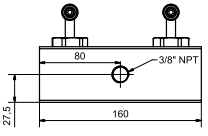
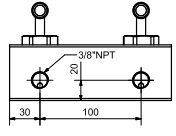
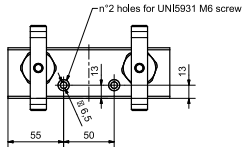
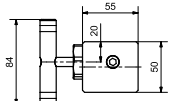

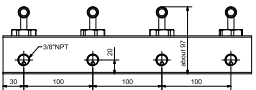
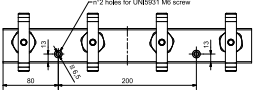
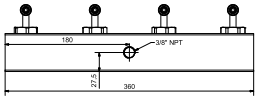
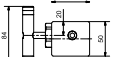


Series
MR - MA - ML

**Manifolds - fittings
and hydraulic oil**

- Used to connect multiple lines to one inlet.
- Available in 11 standard models and in custom versions for high pressure jobs.
- Built with radial or linear outlet. The linear models are supplied with a pressure gauge installation hole.
- 1000 bar

	MODEL	NUMBER OF USES	DIMENSIONS in mm									
			A	B	C	D	E	F	G	H		
	MR - 3V	3	70	26	3/8" NPT							
	MR - 5V	5	70	26	3/8" NPT							
	MR - 11V	11	148	35	3/8" NPT							
	MR - 17V	17	230	35	3/8" NPT							
	MA - 5	5	118	40	30	16	55	3/8" NPT	45	G 1/2"		
	MA - 7	7	173	40	30	16	55	3/8" NPT	100	G 1/2"		
	MA - 9	9	228	40	30	16	55	3/8" NPT	100	G 1/2"		
	ML - 5	5	200	45	50	3/8" NPT	G 1/2"	186	31	6,5		
	ML - 7	7	300	45	50	3/8" NPT	G 1/2"	286	31	6,5		
	ML - 9	9	400	45	50	3/8" NPT	G 1/2"	386	31	6,5		
	ML - 11	11	500	45	50	3/8" NPT	G 1/2"	486	31	6,5		

	MODEL	NUMBER OF USES	DIMENSIONS in mm			
	VM5A/2	3				
	VM5A/4	5				

FITTINGS

TYPE	MODEL	DIMENSIONS in mm				
		A	B	C	D	
ELBOW	G - 241	38	35	50	3/8" NPT	
	GF - 242	38	35	3/8" NPT	-	
T FITTING	T - 342	38	66	53	3/8" NPT	
CROSS FITTING	C - 442	38	66	3/8" NPT	-	
REDUCTION	R - 313	40	CH 27	1/4" NPT	3/8" NPT	
	R - 314	40	CH 27	3/8" NPT	1/4" NPT	
	R - 316	45	CH 32	G 1/2"	1/4" NPT	
	R - 352	45	CH 32	G 1/2"	3/8" NPT	
HEX COUPLING	ME - 349	37	CH 27	3/8" NPT	3/8" NPT	
	ME - 357	37	CH 27	1/4" NPT	3/8" NPT	
NIPPLE	N - 341	39	CH 17	1/4" NPT	1/4" NPT	
	N - 343	41	CH 19	1/4" NPT	3/8" NPT	
	N - 344	41	CH 19	3/8" NPT	3/8" NPT	
LONG NIPPLE	NL - 345	55	3/8" NPT		-	
	NL - 346	80	3/8" NPT		-	
	NL - 347	150	3/8" NPT		-	

MODEL	LITRES
OIL - 1	1
OIL - 5	5
OIL - 10	10
BIO-OIL-1	1
BIO-OIL-5	5
BIO-OIL-10	10

MINERAL HIDRAULIC OIL ISO VG 32

Available different oil for custom applications.

BIO OIL - Eco-friendly oil

Eco-friendly oil. High-performance, fully synthetic, biodegradable, non-toxic hydraulic fluid, saturated esters made.

