

FPT SPLIT FLOW

700 bar
Single stage
0,4 - 0,9 l/min oil flow
10 to 60 l oiltank capacity

Series
FPT
SPLIT FLOW

Hydraulic pump with independent outlets

For synchronous lifting during the lifting and lowering phases $\pm 3\%$ of precision on the nominal stroke

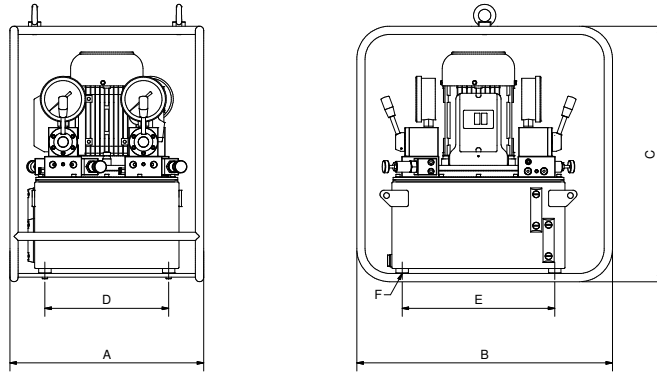


- Split Flow power units allow to perform synchronous lifting and lowering operations of irregular and unbalanced loads.
- Can handle 2 or 4 single or double effect cylinders.
- Piston pump with independent outputs ideal for carrying out lifting operations where high accuracy load leveling is required.

- $\pm 3\%$ accuracy on the nominal stroke when lifting with of single-acting cylinders and during lifting and lowering with double-acting cylinders.
- Available manual or electric valves with related control pendant and counter-balance valves for load control during descent.

CUSTOM HYDRAULIC PUMPS ON REQUEST





SPLIT FLOW

MODEL	OUTPUTS	MAX WORKING PRESSURE	OIL DISPLACEMENT PER OUTPUT	MOTOR	KW RPM
		bar	l/min		
FPT 2x0,9 - ME2	2	700	0,9	THREE PHASE 2 POLES	2,2 / 2850
FPT 2x0,9 - ME21	2		0,9	MONO PHASE 2 POLES	
FPT 4x0,4 - ME2	4		0,4	THREE PHASE 4 POLES	
FPT 4x0,4 - ME21	4		0,4	MONO PHASE 2 POLES	

OILTANK CAPACITY	DIMENSIONS in mm						WEIGHT kg
	A	B	C	D	E	F	
10	405	480	580	300	300	M8	36
20	380	500	540	300	370	M8	49
40	610	490	540	500	370	M8	69
60	860	490	540	750	370	M8	91

OILTANK CAPACITY	DIMENSIONS in mm		
	A	B	C
10	870	600	620
20	870	600	620
40	935	580	740
60	1085	580	740

Split flow pump's dimensions –
WITHOUT PROTECTION CAGE

Split flow pump's dimensions –
WITH PROTECTION CAGE

PICTURE	CODE	NAME	DESCRIPTION
	CD	Remote control	To switch on / off the motor and control the valve remotely, 5 meters long electric cable.
	RF	Unidirectional flow control valve	This valve allows the free flow of oil in one direction and intercepts it in the opposite direction when completely closed. When opened the flow is free in both directions.
	G	Cage	Protection frame with wheels to facilitate the transport of the pump and protect it from accidental impacts.
	GR	Cage with wheels	Protection frame to facilitate the transport of the pump and protect it from accidental impacts.
	M100	Pressure gauge	Pressure gauge 0/1000 bar – Ø 100 mm – thread ½" GAS
	SO	No oil	Pump supplied with no oil